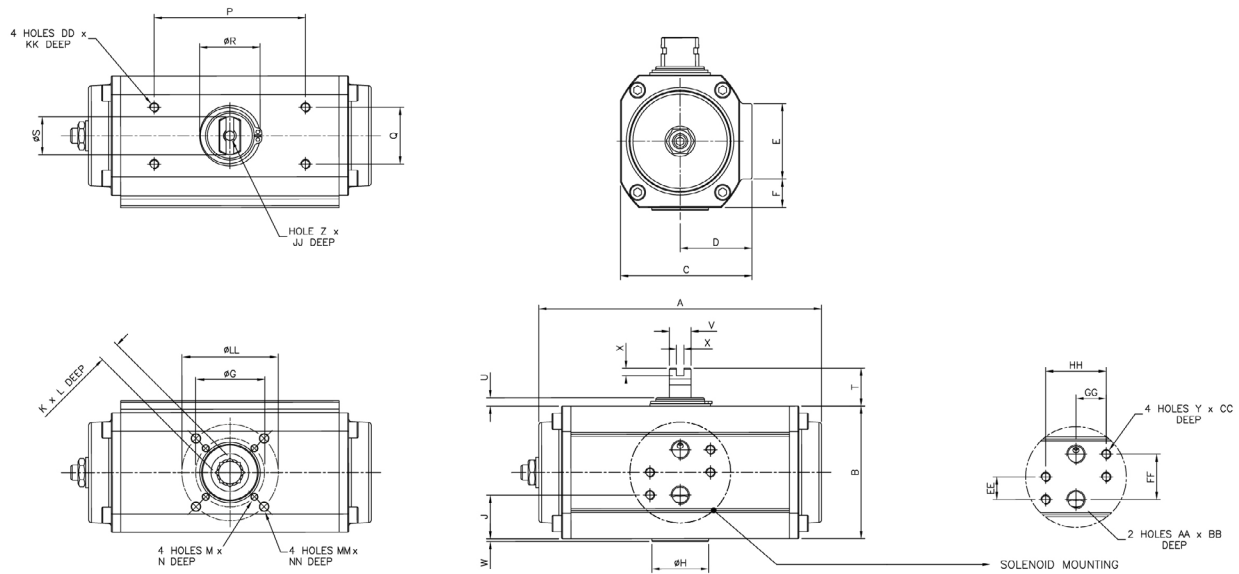


TruTorq Pneumatic Actuator Type S, Metric Size 3, 5 and 10

- Double acting (DA) and Spring Return (SR)
- Single End Stop Adjustment, open and closed position



DIMENSIONS, METRIC (mm)

Actuator size	ISO	A	B	C	D	E	F	ØG	ØH	J	K	L	M	N	P	Q	ØR	ØS	T	U
TT 3	F03/F05	149.5	70.0	69.5	38.0	49.0	10.5	36.0	30.0	23.0	9.0	11.0	M5	8.0	80.0	30.0	32.0	20.0	20.0	4.5
TT 5	F05/F07	186.5	87.0	90.5	49.0	49.0	22.0	50.0	35.0	34.5	14.0	15.0	M6	10.0	80.0	30.0	32.0	20.0	20.0	4.5
TT 10	F05/F07	206.0	118.0	113.0	59.0	43.0	8.0	50.0	35.0	29.5	14.0	19.0	M6	10.0	80.0	30.0	32.0	20.0	20.0	4.55

Actuator size	ISO	V	W	X	Y	Z	AA	BB	CC	DD	EE	FF	GG	HH	JJ	KK	ØLL	MM	NN
TT 3	F03/F05	11.5	1.5	4.0	M5	M6	G1/8	10.0	8.0	M5	12.0	24.0	16.0	32.0	12.0	8.0	50.0	M6	10.0
TT 5	F05/F07	11.5	3.0	4.0	M5	M6	G1/8	10.0	8.0	M5	12.0	24.0	16.0	32.0	12.0	8.0	70.0	M8	12.0
TT 10	F05/F07	11.5	2.9	4.0	M5	M6	G1/8	10.0	8.0	M5	12.0	24.0	16.0	32.0	12.0	8.0	70.0	M8	13.0

TORQUE

Actuator size	Air Supply	DA Torque	SR Torque (Nm)				
	BAR	Nm	Air - Start	Air - End	Spring - Start	Spring - End	Spring Qty
TT 3	6	23	15	8	15	8	12
TT 5	6	50	32	18	32	18	12
TT 10	6	101	61	40	61	40	12

OPERATING DETAILS

Actuator size	Operating time (sec)				Air consumption (litre)		Overall weight (kg)	
	DA Open	DA Close	SR Open	SR Close	Open	Close	DA	SR
TT 3	< 1	< 1	< 1	< 1	0.1	0.1	1.0	1.1
TT 5	< 1	< 1	< 1	< 1	0.2	0.3	1.8	1.9
TT 10	< 1	< 1	< 1	< 1	0.4	0.5	2.8	2.9