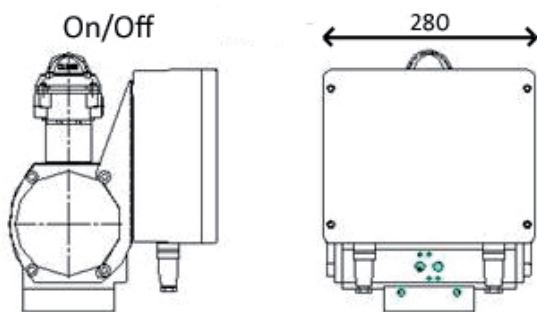




Fail-Safe Hydraulic Power Pack, On/Off

- Quick Stepper Fail-Safe Electro/hydraulic Power Pack is suitable for single acting spring return actuators.
- The unit can be mounted directly on the actuator or remotely in harsh environments.
- In the event of power loss, the valve will automatically go to the fail-safe position by means of the spring force.





Fail-Safe Hydraulic Power Pack, On/Off

QS-FSEH-PPOO - Power Pack On-Off

Basic scope of supply includes a cabinet with hydraulic pump and fail-safe solenoid valve. Limit switch to shut down pump when valve reaches open/closed position.

Features:

- Fail safe
- Oil pressure gauge
- Oil level indication
- Power consumption: Max 250 Watt
- Power supply: Single phase 220 VAC 50Hz
- Quick connector for all electrical connections
- Weight: 11,5 Kg

Pump Pressure - Factory set to 10 Bar

Motor - 230VAC 50Hz, 80 W, single phase

Operating Temperature Range - 20°C to 50°C

Oil Type - ExxonMobil DTE 24 or equivalent

Options:

- Cooling fan
- Explosion-proof motors, switches and solenoid valve
- Handwheel for manual override
- Heater with thermostat
- Limit switches for open/close indication
- Power supply: Single phase 120 VAC & 3-phase voltage

