



Complete Solutions for Liquid Filtration

# Self Cleaning Filter Standard Range

Models 075, 100, 125, 150, 200, 300, 400  
Sizes 20mm (3/4") – 100mm (4")

## Manual & Automatic

The Standard Range of self cleaning filters provides highly cost effective solutions to difficult liquid filtration problems of all viscosities.

## Main Features

- Continuous filtration-No interruption to flow during cleaning process
- Minimal amount of liquid loss during cleaning process
- Suitable for practically all liquids including those of high viscosity
- Filtration levels down to 25 micron
- Separate bowl and head secured by Vee clamp allows easy access to element
- Maximum working pressure 13.8 barg at 50°C
- Maximum working temperature 260°C (dependent on seal material)
- High quality 316 stainless steel wound wedge wire or perforated element

## Options

- Filters available in the following materials:
  - Head:** stainless steel or cast iron
  - Bowl:** stainless steel
- Range of automated control devices available.

Please note

- 1 Working pressure is stated at 50°C. To verify suitability of this equipment above this temperature or below 0°C, please contact our Technical Sales Team.
- 2 Whilst alternative seal materials e.g. EP, PTFE are available and can be used to offer a wide range of chemical compatibility and working temperatures up to 260°C, it is recommended that such applications are again discussed with our Technical Sales Team.



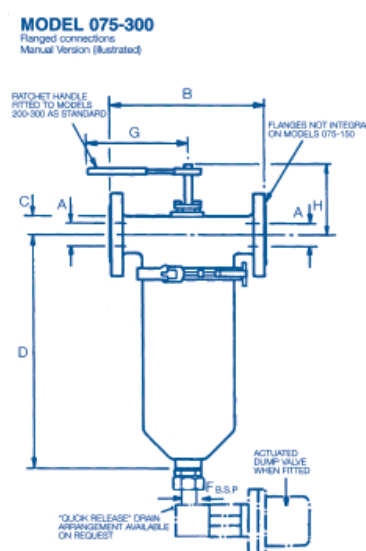
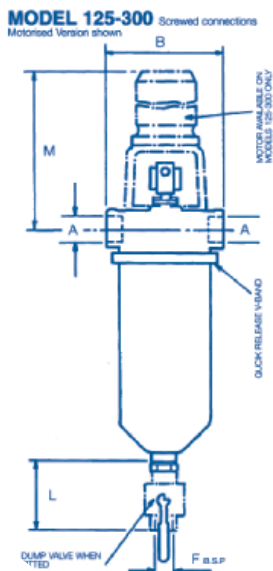
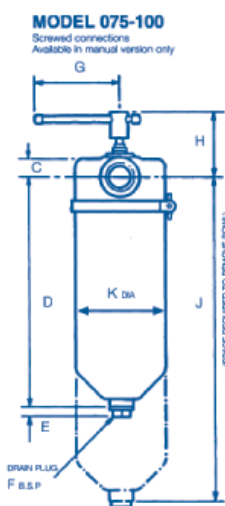
**SPX**<sup>®</sup>

### Screwed Filters (sizes in mm)

Model	A	B	C	D	E	F	G	H	J	K	L	M	Weight (kg)
075	3/4"BSP	150	24	273	13	1/2"BSP	185	80	450	114	—	—	7kg
100	1"BSP	150	24	273	13	1/2"BSP	185	80	450	114	—	—	7kg
125	1 1/4"BSP	208	32	404	20	1"BSP	185	133	640	160	110	445	11.2kg
150	1 1/2"BSP	208	32	404	20	1"BSP	185	133	640	160	110	445	11.2kg
200	2"BSP	220	40	458	20	1"BSP	185	133	665	160	110	447	19kg

### Flanged Filters (sizes in mm)

Model	A	B	C	D	E	F	G	H	J	K	L	M	Weight (KG)
125	1 1/4"	270	32	404	20	1"BSP	185	133	640	160	110	445	11kg
150	1 1/2"	270	32	404	20	1"BSP	185	133	640	160	110	445	11kg
200	2"	270	40	458	20	1"BSP	185	133	665	160	110	447	25.0kg
300	3"	300	56	575	20	2"BSP	185	148	895	190	160	46	41.0kg
400	Model 400 unit comprises of two times 300 units manifolded together. Please contact our Technical Sales Team for further information on this product.												



**SPX**  
FLOW CONTROL

Your local contact:

SPX Flow Control  
Hambridge Road  
Newbury, Berkshire, RG14 5TR  
Phone: +44 (0) 1635 263915 Fax: +44 (0) 1635 36006  
E-mail: [airpel@spx.com](mailto:airpel@spx.com)

For more information about our worldwide locations, approvals, certifications, and local representatives, please visit [www.spxpe.com](http://www.spxpe.com).

SPX reserves the right to incorporate our latest design and material changes without notice or obligation. Design features, materials of construction and dimensional data, as described in this bulletin, are provided for your information only and should not be relied upon unless confirmed in writing. Certified drawings are available upon request.