

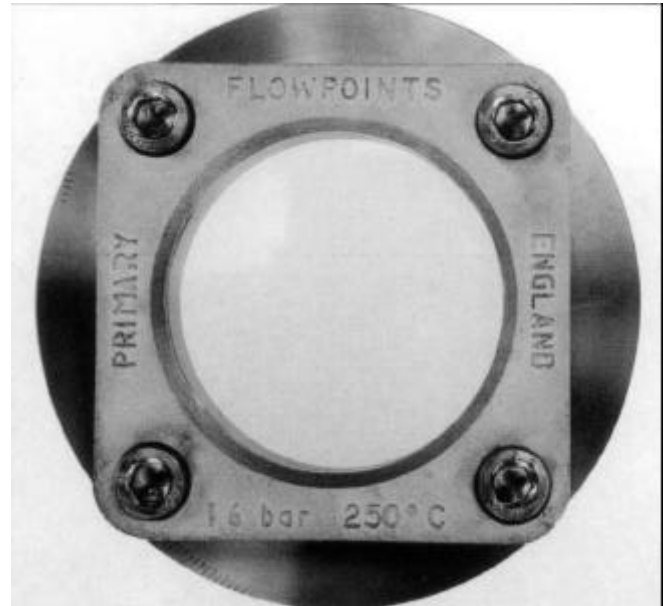


# Primary Flowpoints

## Style W Sight Glass

This circular sight glass is ideal for you to visually check the presence, colour and condition of a liquid.

- ◆ High quality robust design
- ◆ Pressures up to 40 bar
- ◆ Temperatures up to 250°C
- ◆ Short lead times
- ◆ The lowest prices in the UK
- ◆ Designed and manufactured in the UK.



### Application

This model is designed to provide a window for viewing the contents of a vessel or tank. Normally these are welded to the tank, but can be supplied suitable for bolting to a vessel or a pipe flange if required. The windows are either toughened soda lime or toughened borosilicate glass to suit the contents of the vessel.

### Materials of Construction

Back Pad (Standard) - Stainless Steel BS 1501 316 S31  
Boiler Plate BS 1501 161 430A

Covers (Standard) - Stainless Steel BS 1504 304 C15  
(High Pressure) - Mild Steel BS 4360 43A

Glasses Toughened Soda Lime  
Toughened Borosilicate

Internal Gasket - PTFE  
External Gasket - Klingsil C4400  
Edge Protector - Klingsil C4400  
Fasteners (Standard) - A2 Stainless steel  
(High Pressure) - High Tensile Steel

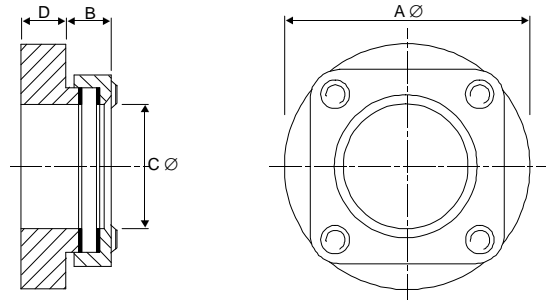
### Maximum Working Pressure

Toughened Soda Lime: Standard Unit - 16 Bar  
High Pressure Unit - 40mm-100mm - 40 Bar, 150mm - 25 Bar

Toughened Borosilicate: Standard Unit - 6 Bar  
High Pressure Unit - 40mm-100mm - 14 Bar, 150mm - 10 Bar

### Dimensions

NOMINAL BORE (mm)	A	B	C	D	CARBON STEEL	STAINLESS STEEL
40	78	14	42	15	CW-040	SW-040
50	88	15	48	15	CW-050	SW-050
65	112	20	62	20	CW-065	SW-065
80	138	22	77	24	CW-080	SW-080
100	164	29	100	24	CW-100	SW-100
150	240	38	150	30	CW-150	SW-150



### Quality

All Flowpoints indicators are manufactured to the highest standards. The quality system is independently audited by BSI and certified to ISO 9000. Full material traceability is maintained, material certificates are supplied on request.